

User-Friendly and Stylish Smart Key Management Cabinet



K-26 AI
Smart Key
Management
Cabinet

Small businesses are our priority

Smart offices based on the Internet of Things (IoT) concept are becoming the future trend of office intelligence. Our designed smart key management cabinet enhances the intelligent office experience for small businesses, making your office look more sophisticated.

About Landwell

Landwell is global enterprise recognized for its intelligent key management cabinets under the Landwell brand, distinguished by its advanced technology, solid reputation and professional brand. Landwell's intelligent key management cabinets have earned trust and praise of users.

Our Users:

As a flagship company in the industry, Landwell serves diverse industries. Some notable users include Daya Bay/Ningde Nuclear Power Plants, Beijing/Wuxi/Shanghai/Chengdu Subways, ICBC/ABC/Nanjing Banks, Beijing Lianjia, National Museum, Beijing/Shanghai Police Departments, Baoding/Chengdu banknote printing factory, National Security Bureau, Shanghai Disneyland, Shangri-La Four Seasons Hotel Group, Mercedes-Benz (China), Shanghai 120 Emergency, Zibo Municipal Government Vehicle Management Platform, Palace Museum, Pfizer Pharmaceuticals, Peking University, and more, all benefiting from Landwell's intelligent key management system.

Landwell's intelligent key management cabinets are designed for the convenience of key management. Compared to traditional methods, Landwell offer higher security and convenience.

These cabinets use smart chips and intelligent management technology to ensure high security during key management. Only authorized personnel can access keys. Moreover, the cabinets not only record each key's usage but also allow single or multi-level management of usage times and personnel. In general, Landwell provide better security for keys and enable "smart control" of key usage in unattended scenarios.

Landwell's intelligent key management cabinets are user-friendly. "Easy installation, easy use, easy management." Authorized personnel need only input relevant information on the cabinet to retrieve the corresponding keys directly.

Landwell's intelligent key management cabinets find extensive applications in various scenarios:

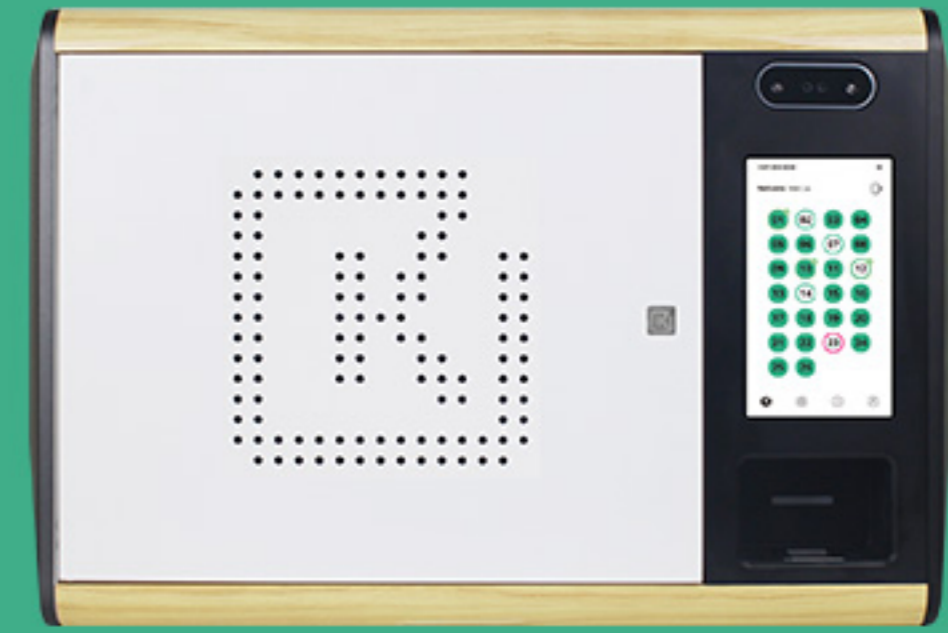
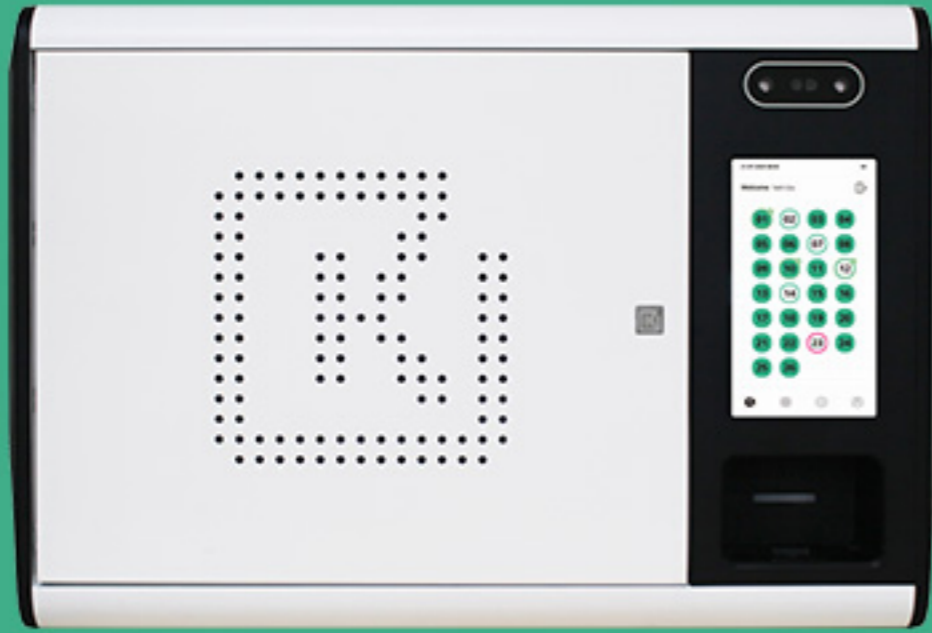
Smart Industry: Vehicles, Electricity, Museums, Factories, Properties, Amusement parks, Pharmaceutical companies, Financial banks, etc.

Smart Office: Offices, Shops, Gas stations, Laboratories, Archives, Real estate agencies, and more.



Landwell Portal

Smarter key management, more advanced office experience



Self-service Retrieval and Return
Authorized Management
Easy Operation
Supervision and Accountability



Remote Access
Scheduled Authorization
Interconnected
Efficient Usage



Intelligent Security
Door Lock Detection
Abnormal Alert
Timeout Alert



Anywhere, Anytime
Cloud-based Management
Key Status
Stay Informed



Smart Administration
Ensuring Compliance
Lock Control Tracing
Detailed Reports



Biometric Recognition
Multiple Choices
High Security
Swift Identification

Applications

Mainly used for vehicle, facility, building, tool, and fixed asset management

Applicable Fields: Law enforcement, judicial, specialty vehicle management; Car dealership key management; Power facility key management; Financial bank key management; Museums, property, amusement parks, hotels, factories, pharmaceutical companies, energy facility key management, etc.



Keylongest K26 Smart Key Cabinet



- ◆ Outstanding Exterior Design
Curved Edges, Minimalist Profile,
Ingenious Craftsmanship from Inside Out
- ◆ Innovative KeySlot Strip Design
Patent-protected, New Generation Lock Control Technology.
High Integration and More Stable Operation
- ◆ Innovative Smart Integrated Anti-Theft KeyTag Design
Patent-protected, Perfect Combination of Key and Smart KeyTag
for Enhanced Safety
- ◆ Biometric Identity Authentication and Recognition Technology

Specifications & Parameters

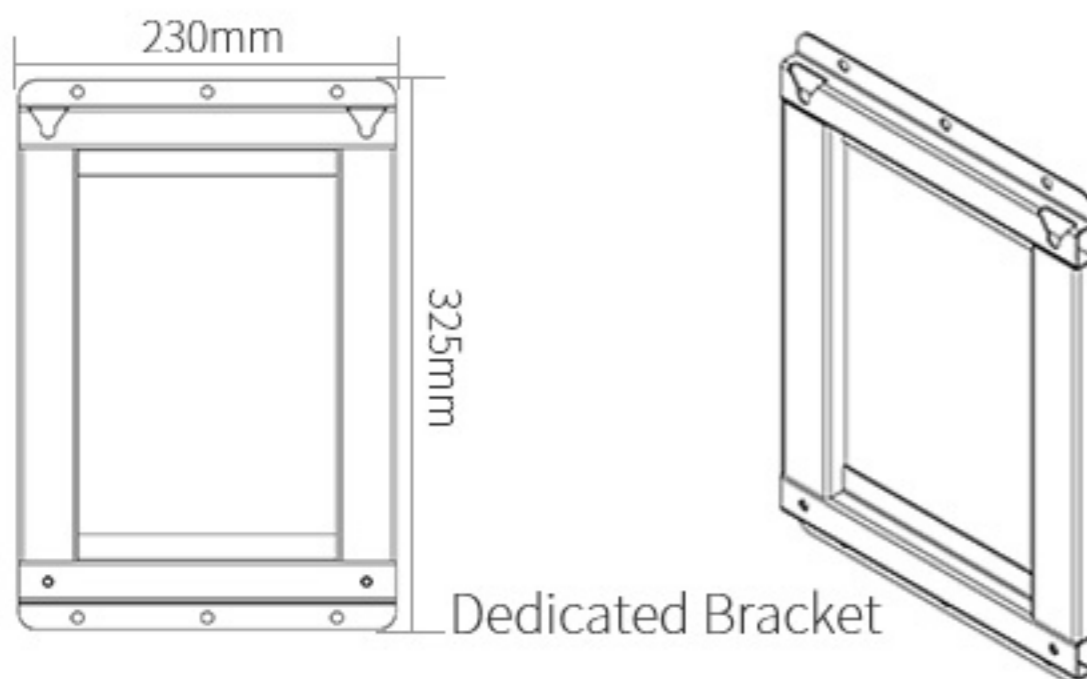
Keylongest Intelligent Cabinet

Name	Keylongest 26 Smart Key Cabinet	Model	K26
Key Positions	26	Net Weight	Approx. 18.2Kg
Material	Cold rolled steel, 1.5~2.0mm thickness	Dimensions	635*530*310mm
Technology	RFID automatic recognition	Power Supply	Input: 100~240V AC Output: 12V DC
Login Option	Facial Recognition, Fingerprint, ID card, PIN code	Power Consumption	Peak 30W, Idle 10W
Temperature	-20°C~70°C	Installation	Wall-Mounted Installation
Network	Wi-Fi(Only 2.4G Wi-Fi), Ethernet	Display	7-inch LCD screen, capacitive touch
Operating System	Android 7.1	CPU	RK3288/Quad-core, operating frequency 1.6GHz

Fingerprint

Module	Live Fingerprint Module	Resolution	363DPI
Recognition Mode	1: 1	Speed	<0.6s
Performance	FAR <0.001%, FRR <0.1‰	Operating Voltage	DC 5.0V

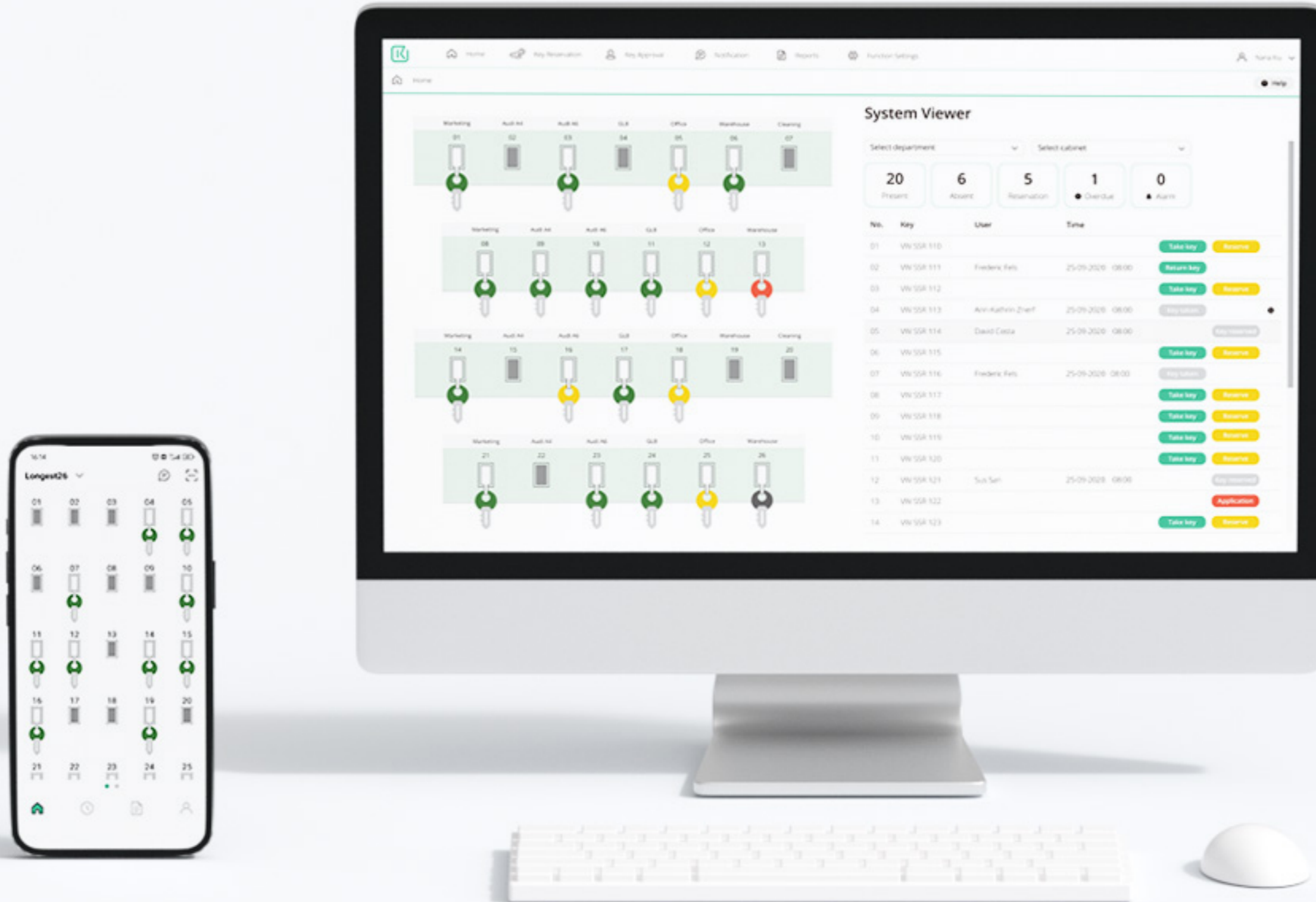
Accessories



Patent-protected, Smart KeyTag



Keylongest Smart Key Management System



The Landwell Keylongest Smart Key Management System is a centralized management software based on web browsers. It is used to centrally manage almost all Landwell intelligent key and storage cabinet systems that can run on browser devices, including smartphones, tablets (PADs), and PCs. It can support an unlimited number of key or asset management. The main advantages include easy deployment, modern graphical user interface, browser-based configuration, and remote management capabilities.

Landwell provides a user-friendly app that offers rich key management functionalities:

- ◆ Hierarchical Access: Administrators, regular users, and custom-defined (freely defined)
- ◆ User Authorization: Different permissions can be set for keys or users.
- ◆ Key Status: Quickly check the current status of keys and their holders.
- ◆ Key Reservation: Reserve keys via the web management site or app.
- ◆ Incident Recording: Record key usage and view it anytime.
- ◆ Exception Alerts: Receive alerts via the app or email when key cabinets experience anomalies.
- ◆ Two-way Authorization: The system supports two-way authorization between users and keys.
- ◆ Multi-Person Authentication: For highly sensitive keys, multi-person identity authentication.
- ◆ Image Capture: The system supports image capture when users retrieve or return keys.
- ◆ Remote Operation: Supports remote operation of key cabinet key release for off-site users.
- ◆ Multi-Language: The system supports multiple language options.
- ◆ System Integration: Supports integration with other systems.

