



[ Patent Protected - Violators Prosecuted ]

# Smart Industry

「Automatic Door」 Smart Key Management Cabinet

Second generation



## About Landwell

Landwell is global enterprise recognized for its intelligent key management cabinets under the Landwell brand, distinguished by its advanced technology, solid reputation and professional brand. Landwell's intelligent key management cabinets have earned trust and praise of users.

### Our Users:

As a flagship company in the industry, Landwell serves diverse industries. Some notable users include Daya Bay/Ningde Nuclear Power Plants, Beijing/Wuxi/Shanghai/Chengdu Subways, ICBC/ABC/Nanjing Banks, Beijing Lianjia, National Museum, Beijing/Shanghai Police Departments, Baoding/Chengdu banknote printing factory, National Security Bureau, Shanghai Disneyland, Shangri-La Four Seasons Hotel Group, Mercedes-Benz (China), Shanghai 120 Emergency, Zibo Municipal Government Vehicle Management Platform, Palace Museum, Pfizer Pharmaceuticals, Peking University, and more, all benefiting from Landwell's intelligent key management system.

Landwell's intelligent key management cabinets are designed for the convenience of key management. Compared to traditional methods, Landwell offer higher security and convenience.

These cabinets use smart chips and intelligent management technology to ensure high security during key management. Only authorized personnel can access keys. Moreover, the cabinets not only record each key's usage but also allow single or multi-level management of usage times and personnel. In general, Landwell provide better security for keys and enable "smart control" of key usage in unattended scenarios.

Landwell's intelligent key management cabinets are user-friendly. "Easy installation, easy use, easy management." Authorized personnel need only input relevant information on the cabinet to retrieve the corresponding keys directly.

Landwell's intelligent key management cabinets find extensive applications in various scenarios:

Smart Industry: Vehicles, Electricity, Museums, Factories, Properties, Amusement parks, Pharmaceutical companies, Financial banks, etc.

Smart Office: Offices, Shops, Gas stations, Laboratories, Archives, Real estate agencies, and more.

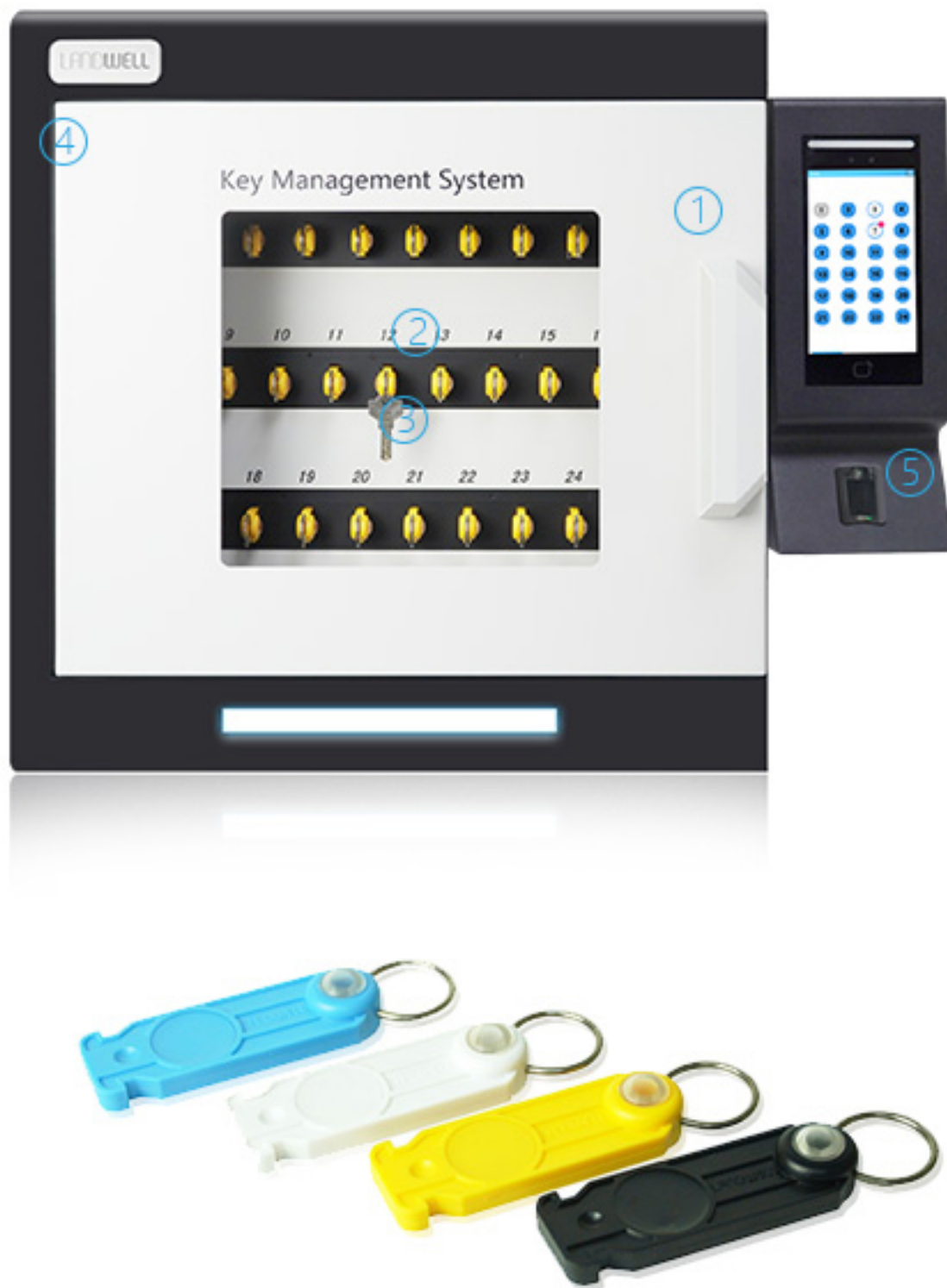


Landwell Portal



# Second generation

## Automatic Door Main Features of the Smart Key Management Cabinet



### ① Automatic Door

Patent-Protected Fully Automatic Cabinet Door Control System

### ② KeySlot Strip

Patent-Protected Row-Based KeySlot Strip

### ③ Maintenance-Free

Durable PVC Smart Anti-Theft Integrated KeyTag

### ④ Robust Security

Patent-Designed Cabinet Body Industrial-Grade Durable Zinc Alloy Hinge

### ⑤ Biometric Security

Biometric Authentication Methods Including Vein Pattern Facial Recognition, Card Swiping, and Password

### Individual Customization

Hardware Customization, Software Customization, and Mature Solutions in Various Fields

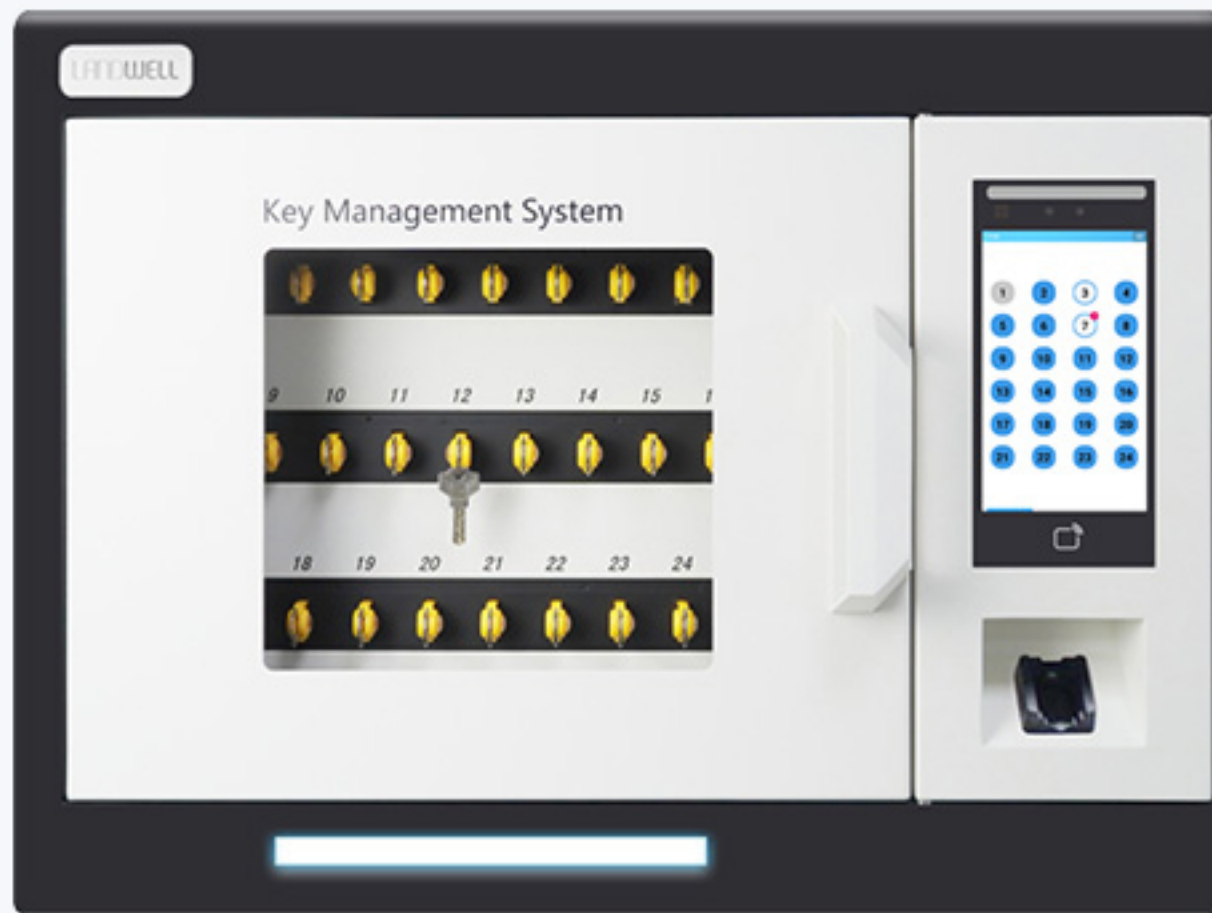
## Applications

Mainly used for vehicle, facility, building, tool, and fixed asset management

Applicable Fields: Law enforcement, judicial, specialty vehicle management; Car dealership key management; Power facility key management; Financial bank key management; Museums, property, amusement parks, hotels, factories, pharmaceutical companies, energy facility key management, etc.







## Second generation Auto-door Wall-Mounted Terminal AS

- ◆ Innovative Automatic Door Design  
Protected by Patent, Automatic Opening and Closing of Key Cabinet Doors, Aiming for Enhanced Security and Advancement.
- ◆ Innovative KeySlot Strip Control Design  
Patent-protected, New Generation Lock Control Technology. High Integration and More Stable Operation
- ◆ Innovative Smart Integrated Anti-Theft KeyTag Design  
Perfect Combination of Key and Smart KeyTag for Enhanced Safety
- ◆ Biometric Identity Authentication and Recognition Technology  
Advanced Biometric Vein Recognition Technology Ensures Enhanced Security and Effective Asset Protection.

### Specifications & Parameters

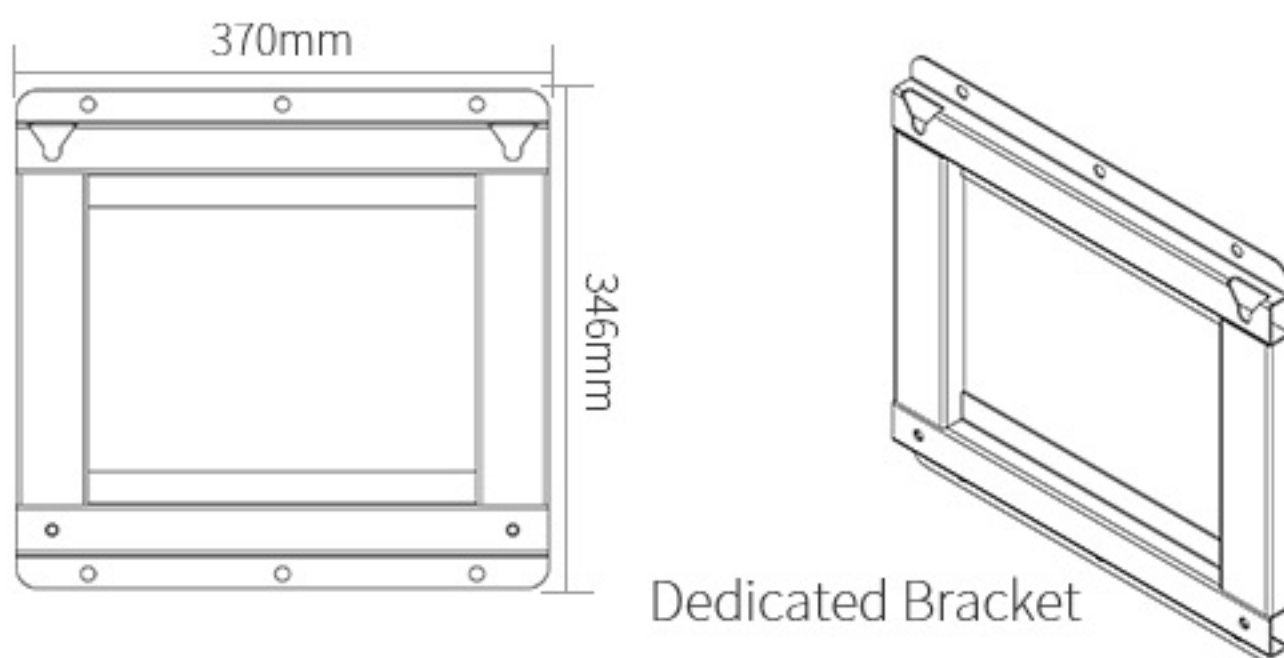
#### i-Keybox Intelligent Cabinet

Name	Landwell Intelligent Key Management Cabinet	Model	i-Keybox-AS 32
Key Positions	32	Net Weight	Approx. 36Kg
Material	Cold rolled steel, 1.5~2.0mm thickness	Dimensions	670*500*202mm
Technology	RFID	Power Supply	Input: 100~240VAC Output: 12V DC
Login Option	Facial , Vein , ID card, PIN code	Power Consumption	Peak 60W, Idle 13W
Temperature	-20°C~70°C	Installation	Wall-Mounted Installation
Network	Wi-Fi(Only 2.4G Wi-Fi), Ethernet	Display	7-inch LCD screen, capacitive touch
OS	Android 7.1	CPU	RK3288/Quad-core, operating frequency 1.6GHz

#### Vein Recognition

Module	Vein Recognition Module	Interface	USB 2.0 (Plug-and-Play, Driver-Free)
Recognition Mode	1: N	Speed	<1s
Performance	FAR <0.0001%, FRR <0.01%.	Operating Voltage	DC 5.0V

#### Accessories



Patent-protected, Smart KeyTag







## Second generation Auto-door Wall-Mounted Terminal AM

- ◆ Innovative Automatic Door Design  
Protected by Patent, Automatic Opening and Closing of Key Cabinet Doors, Aiming for Enhanced Security and Advancement.
- ◆ Innovative KeySlot Strip Control Design  
Patent-protected, New Generation Lock Control Technology. High Integration and More Stable Operation
- ◆ Innovative Smart Integrated Anti-Theft KeyTag Design  
Perfect Combination of Key and Smart KeyTag for Enhanced Safety
- ◆ Biometric Identity Authentication and Recognition Technology  
Advanced Biometric Vein Recognition Technology Ensures Enhanced Security and Effective Asset Protection.

### Specifications & Parameters

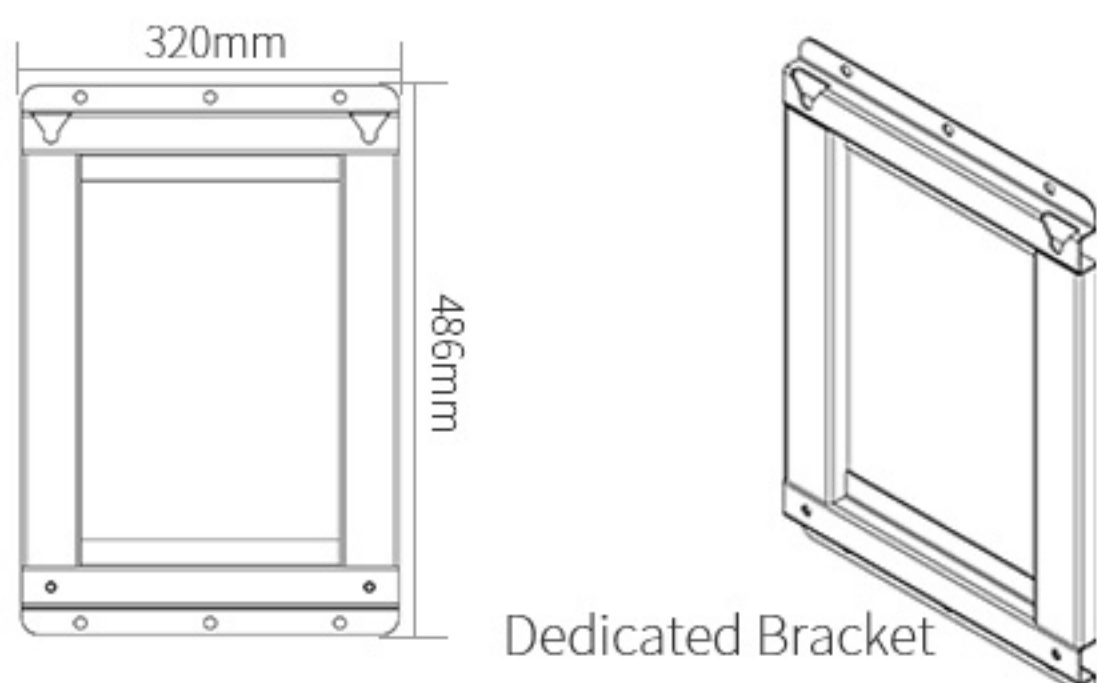
#### i-Keybox Intelligent Cabinet

Name	Landwell Intelligent Key Management Cabinet	Model	i-Keybox-AM 48
Key Positions	48	Net Weight	Approx. 42Kg
Material	Cold rolled steel, 1.5~2.0mm thickness	Dimensions	695*640*202mm
Technology	RFID	Power Supply	Input: 100~240VAC Output: 12V DC
Login Option	Facial , Vein , ID card, PIN code	Power Consumption	Peak 60W, Idle 18W
Temperature	-20°C~70°C	Installation	Wall-Mounted Installation
Network	Wi-Fi(Only 2.4G Wi-Fi), Ethernet	Display	7-inch LCD screen, capacitive touch
OS	Android 7.1	CPU	RK3288/Quad-core, operating frequency 1.6GHz

#### Vein Recognition

Module	Vein Recognition Module	Interface	USB 2.0 (Plug-and-Play, Driver-Free)
Recognition Mode	1: N	Speed	<1s
Performance	FAR <0.0001%, FRR <0.01%.	Operating Voltage	DC 5.0V

#### Accessories



Patent-protected, Smart KeyTag







## Second generation Auto-door Wall-Mounted Termina AL

- ◆ Innovative Automatic Door Design  
Protected by Patent, Automatic Opening and Closing of Key Cabinet Doors, Aiming for Enhanced Security and Advancement.
- ◆ Innovative KeySlot Strip Control Design  
Patent-protected, New Generation Lock Control Technology. High Integration and More Stable Operation
- ◆ Innovative Smart Integrated Anti-Theft KeyTag Design  
Perfect Combination of Key and Smart KeyTag for Enhanced Safety
- ◆ Biometric Identity Authentication and Recognition Technology  
Advanced Biometric Vein Recognition Technology Ensures Enhanced Security and Effective Asset Protection.

### Specifications & Parameters

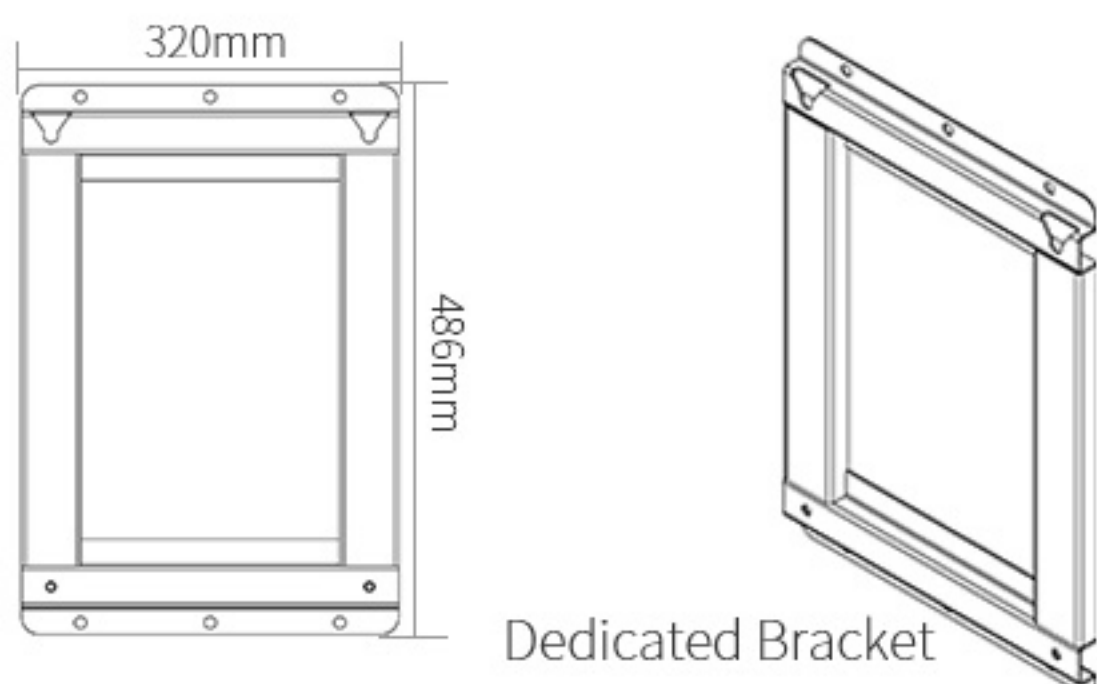
#### i-Keybox Intelligent Cabinet

Name	Landwell Intelligent Key Management Cabinet	Model	i-Keybox-AL 64
Key Positions	64	Net Weight	Approx. 48Kg
Material	Cold rolled steel, 1.5~2.0mm thickness	Dimensions	695*790*202mm
Technology	RFID	Power Supply	Input: 100~240VAC Output: 12V DC
Login Option	Facial , Vein , ID card, PIN code	Power Consumption	Peak 60W, Idle 18W
Temperature	-20°C~70°C	Installation	Wall-Mounted Installation
Network	Wi-Fi(Only 2.4G Wi-Fi), Ethernet	Display	7-inch LCD screen, capacitive touch
OS	Android 7.1	CPU	RK3288/Quad-core, operating frequency 1.6GHz

#### Vein Recognition

Module	Vein Recognition Module	Interface	USB 2.0 (Plug-and-Play, Driver-Free)
Recognition Mode	1: N	Speed	<1s
Performance	FAR <0.0001%, FRR <0.01%.	Operating Voltage	DC 5.0V

#### Accessories



Patent-protected, Smart KeyTag







## Second generation Auto-door Floor-standing Terminal AXL

- ◆ Innovative Automatic Door Design  
Protected by Patent, Automatic Opening and Closing of Key Cabinet Doors, Aiming for Enhanced Security and Advancement.
- ◆ Innovative KeySlot Strip Control Design  
Patent-protected, New Generation Lock Control Technology. High Integration and More Stable Operation
- ◆ Innovative Smart Integrated Anti-Theft KeyTag Design  
Perfect Combination of Key and Smart KeyTag for Enhanced Safety
- ◆ Biometric Identity Authentication and Recognition Technology  
Advanced Biometric Vein Recognition Technology Ensures Enhanced Security and Effective Asset Protection.

### Specifications & Parameters

#### i-Keybox Intelligent Cabinet

Name	Landwell Intelligent Key Management Cabinet	Model	i-Keybox-AXL 100
Key Positions	100	Net Weight	Approx. 120Kg
Material	Cold rolled steel, 1.5~2.0mm thickness	Dimensions	850*1820*400mm
Technology	RFID	Power Supply	Input: 100~240V AC Output: 12V DC
Login Option	Facial , Vein , ID card, PIN code	Power Consumption	Peak 65W, Idle 25W
Temperature	-20°C~70°C	Installation	Floor-standing
Network	Wi-Fi(Only 2.4G Wi-Fi), Ethernet	Display	7-inch LCD screen, capacitive touch
OS	Android 7.1	CPU	RK3288/Quad-core, operating frequency 1.6GHz

#### Vein Recognition

Module	Vein Recognition Module	Interface	USB 2.0 (Plug-and-Play, Driver-Free)
Recognition Mode	1: N	Speed	<1s
Performance	FAR <0.0001%, FRR <0.01%.	Operating Voltage	DC 5.0V

#### Accessories

Patent-protected, Smart KeyTag







## Second generation Auto-door Floor-standing Terminal AXL

- ◆ Innovative Automatic Door Design  
Protected by Patent, Automatic Opening and Closing of Key Cabinet Doors, Aiming for Enhanced Security and Advancement.
- ◆ Innovative KeySlot Strip Control Design  
Patent-protected, New Generation Lock Control Technology. High Integration and More Stable Operation
- ◆ Innovative Smart Integrated Anti-Theft KeyTag Design  
Perfect Combination of Key and Smart KeyTag for Enhanced Safety
- ◆ Biometric Identity Authentication and Recognition Technology  
Advanced Biometric Vein Recognition Technology Ensures Enhanced Security and Effective Asset Protection.

### Specifications & Parameters

#### i-Keybox Intelligent Cabinet

Name	Landwell Intelligent Key Management Cabinet	Model	i-Keybox-AXL 200
Key Positions	200	Net Weight	Approx. 123Kg
Material	Cold rolled steel, 1.5~2.0mm thickness	Dimensions	850*1820*400mm
Technology	RFID	Power Supply	Input: 100~240V AC Output: 12V DC
Login Option	Facial , Vein , ID card, PIN code	Power Consumption	Peak 70W, Idle 30W
Temperature	-20°C~70°C	Installation	Floor-standing
Network	Wi-Fi(Only 2.4G Wi-Fi), Ethernet	Display	7-inch LCD screen, capacitive touch
OS	Android 7.1	CPU	RK3288/Quad-core, operating frequency 1.6GHz

#### Vein Recognition

Module	Vein Recognition Module	Interface	USB 2.0 (Plug-and-Play, Driver-Free)
Recognition Mode	1: N	Speed	<1s
Performance	FAR <0.0001%, FRR <0.01%.	Operating Voltage	DC 5.0V

#### Accessories

Patent-protected, Smart KeyTag





# i-Keybox Key Intelligent Cabinet System



The Landwell Key Intelligent Management System is a centralized management software based on web browsers. It is used to centrally manage almost all Landwell intelligent key and storage cabinet systems that can run on browser devices, including smartphones, tablets (PADs), and PCs. It can support an unlimited number of key or asset management. The main advantages include easy deployment, modern graphical user interface, browser-based configuration, and remote management capabilities.

Landwell provides a user-friendly app that offers rich key management functionalities:

- ◆ Hierarchical Access: Administrators, regular users, and custom-defined (freely defined)
- ◆ User Authorization: Different permissions can be set for keys or users.
- ◆ Key Status: Quickly check the current status of keys and their holders.
- ◆ Key Reservation: Reserve keys via the web management site or app.
- ◆ Incident Recording: Record key usage and view it anytime.
- ◆ Exception Alerts: Receive alerts via the app or email when key cabinets experience anomalies.
- ◆ Two-way Authorization: The system supports two-way authorization between users and keys.
- ◆ Multi-Person Authentication: For highly sensitive keys, multi-person identity authentication.
- ◆ Image Capture: The system supports image capture when users retrieve or return keys.
- ◆ Remote Operation: Supports remote operation of key cabinet key release for off-site users.
- ◆ Multi-Language: The system supports multiple language options.
- ◆ System Integration: Supports integration with other systems.

